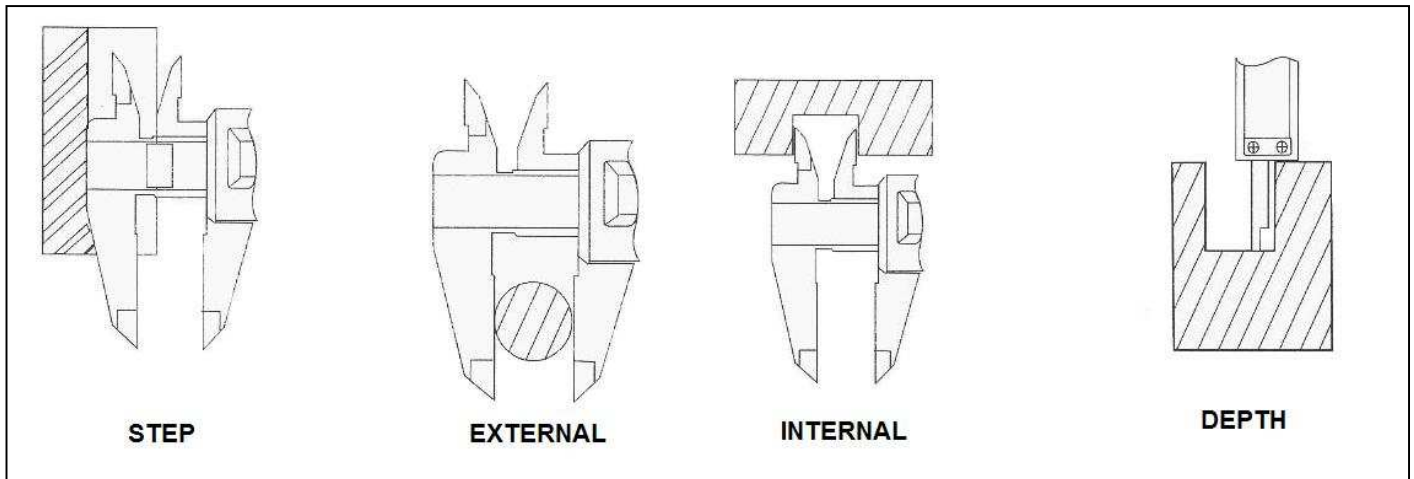


Wixey
 DIGITAL CALIPERS with *FRACTIONS*
 MODEL WR100

INSTRUCTIONS



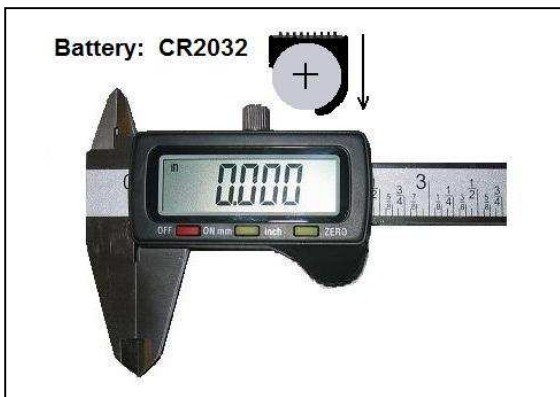
Measurements:



Functions:

- ON/OFF- turns the power completely on or off. When turned ON, the calipers set to 0.00. Have jaws in the closed position when turning on to set proper calibration.
- IN/MM- toggles from decimal inches with fractions to millimeter.
- ZERO- sets display to 0.00 at any position
- Auto shut off- turns power off automatically after 30-60 minutes.

Battery Replacement and Trouble Shooting:



Problem	Possible Cause	Solution
Flashing Digits	Low Voltage	Replace Battery
No Display	Low Voltage	Replace Battery
No Display	Bad Contact	Clean Battery
Erratic or Frozen Display	Internal Error	Remove Battery Wait 1 Minute and Replace

For questions, comments, and more information go to: www.wixey.com